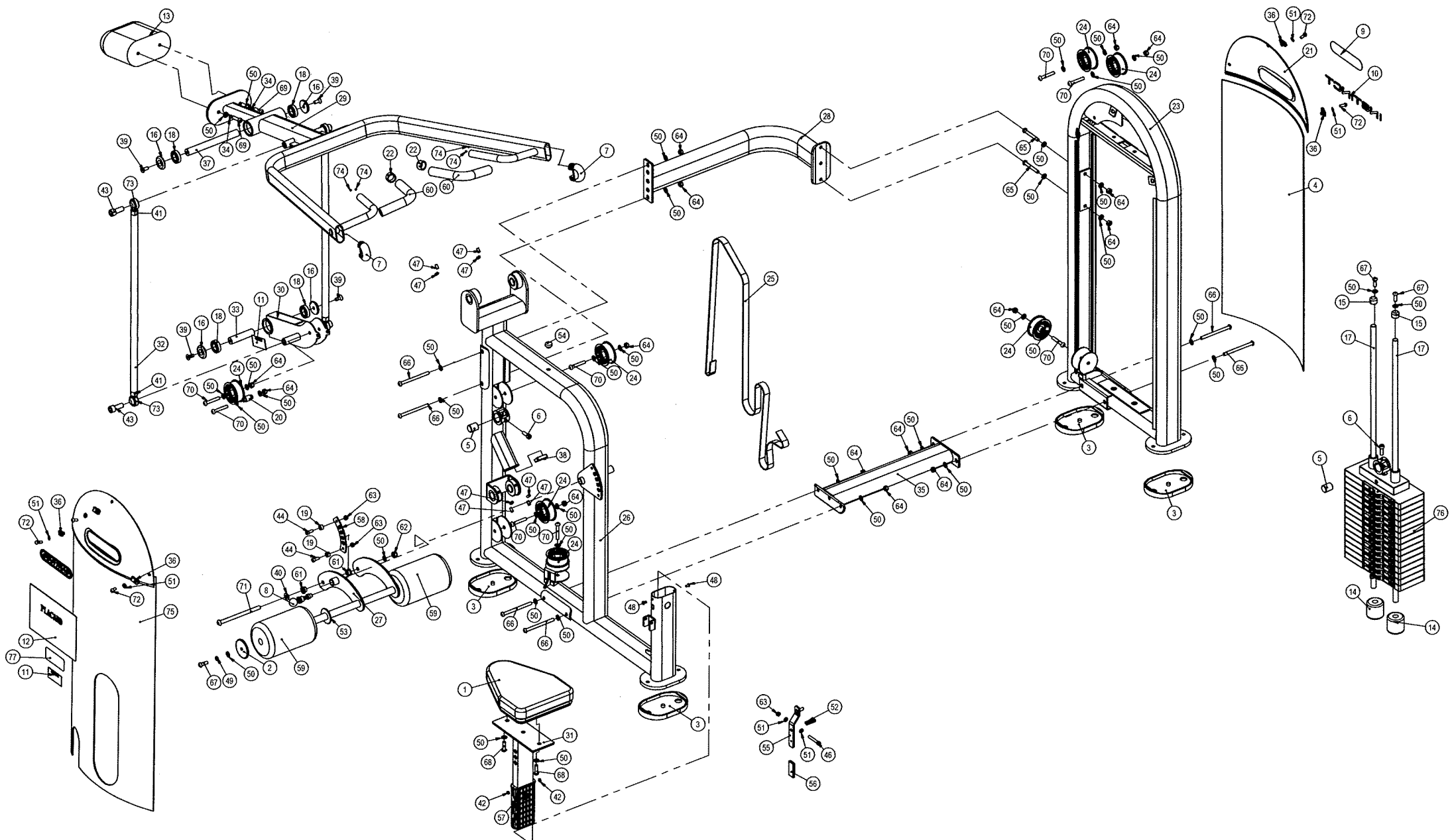


REVISION HISTORY			
REV	DATE	DESCRIPTION	ECO BY
1	08/14/07	PRODUCTION RELEASE	11954 AK



ITEM NO.	STARTRAC P/N	INRAY P/N	DESCRIPTION	QTY.
1	730-0194	IN-B72012000	PAD,SEAT,IN-B7201	1
2	730-0200	IT80053800	PLUG,KNEE PAD,75X10.5,S1012	2
3	730-0216	IN-B75030900	PAD,FOOT,FRAME,WELDED	4
4	730-0233	IN-S10121500	SHROUD,REAR,IN-S5100	1
5	730-0236	IN-S10121700	PIN,BELT ANCHOR	2
6	730-0237	GB70M10-30A2-70NL	SCREW,M10X30,SHS,SS	2
7	730-0292	IN-S21003000	CAP,ARMS,IN-S2100	2
8	730-0316	IN-D21201900	ASSY,SPRING PIN,IN-2120	1
9	730-0383	STARTRAC1	LOGO,STARTRAC	2
10	730-0384	Instnct	LOGO,INSTINCT	1
11	730-0385	CAUTION	LABEL,CAUTION,PINCH POINT	2
12	730-0403	TZZS3310	PLACARD,INSTRUCTION,IN-S3310	1
13	730-0551	IN-S33101400	COUNTERBALANCE,IN-S3310	1
14	730-0562	IN-D10132900	BUMPER,STACK,60MM	2
15	730-0565	IT80129500	CAP,END,HANDLE	2
16	730-0656	IN-S51102100	CAP,50MM OD	4
17	730-0662	IN-S21001300	WEIGHT STACK,GUIDE RAIL	2
18	730-0673	GB2766005-2Z	ISO 15 RBB - 1025 - 14,SL,NC,14_68	4
19	730-0679	IN-S10111200	STOPPER,IN-S1011	2
20	730-0680	IN-D10154400	BELT,GUIDE,M19X39	1
21	730-0702	IN-D10132800	SHROUD,UPPER	2
22	730-0704	IN-B72001200	CAP,25MM,ALUMINUM	2
23	730-0719	IN-S33100100	WEIGHT STACK,FRAME	1
24	730-0721	IN-S51101000	PULLEY,75MM	7
25	730-0778	IN-S10112000	BELT	1
26	730-0831	IN-S33100200	ASSY,MAIN FRAME	1
27	730-0832	IN-S33100300	ASSY,PIVOT,KNEE ADJUSTMENT	1
28	730-0833	IN-S33100400	CROSSBEAM,UPPER,FRAME	1
29	730-0834	IN-S33100500	LEVERAGE ARM,U-SHAPE,IN-S3310	1
30	730-0835	IN-S33100600	PIVOT,FRAME,PULLY,BRACKET	1
31	730-0836	IN-S33100700	SEAT POST,ADJUSTMENT,IN-S3310	1
32	730-0837	IN-S33100800	SHAFT,M25X767	2
33	730-0838	IN-S33101000	SHAFT,M25X104	1
34	730-0839	IN-S33101300	WASHER,M10,LOCKING,IN-S3310,SS	2
35	730-0840	IN-S33200400	CROSSBEAM,LOWER,FRAME	1
36	730-0845	IN-S21004800	SHROUD,MOUNTING,U-STYLE,CLIP	6
37	730-0846	IN-S33200800	SHAFT,25MM X 234	1
38	730-0858	83004700	BUMPER,45X25	1
39	730-0870	CNLM10-25A2-70	SCREW,M10X25,FHM,HK,SS	4
40	730-0876	DO12A2-70	WASHER,M12,FENDER,SS	1
41	730-0884	GB41M16A2-70	NUT,M16,HEX,SS	4
42	730-0885	GB41M6A2-70	NUT,M6,JAM,HEX,SS	2
43	730-0887	GB70M16-40A2-70	SCREW,M16X40,SHS,SS	4
44	730-0889	GB70M8-20A2-70NL	SCREW,M8X20,SHC	2
45	730-0891	GB70M8-30A2-70NL	SCREW,M8X30,SHS,SS	1
46	730-0892	GB70M8-55A2-70	SCREW,M8X55,SHS,SS	1
47	730-0896	GB77M8-16A2-70	SCREW,M8X16,SET,SS	8
48	730-0899	GB81M6-12A2-70	SCREW,M6X12,BHC,SS	2
49	730-0907	GB9310DS12	WASHER,M10,SPLIT,LOCK,SS	2
50	730-0908	GB9510A2-70	WASHER,M10,FLAT,SS	43
51	730-0910	GB958A2-70	WASHER,M8,BELLEVILLE,SS	8
52	730-0911	HF1642303	ADJUSTMENT,HANDLE,COMPRESSION SPING	1
53	730-0912	HF1652100	SPACER,26MM ID,60MM OD	2
54	730-0913	HF3574000	BUMPER	1
55	730-0930	IN-B72010600	ASSY,EXTENSION,ADJUSTMENT,HANDLE	1
56	730-0935	IN-B72011400	ASSY,ADJUSTMENT,HANDLE,END,SLEEVE	1
57	730-0936	IN-B72011700	ASSY,TUBE,INSERT,SLEEVE	2
58	730-1067	IN-S33100900	STOP ROM,IN-S33100	1
59	730-1068	IN-S33101100	ROLLER,LEG,PAD,M140X215	2
60	730-1071	IN-S33201000	LEVERAGE ARM,HANDLE,GRIP,SLEEVE	2
61	730-1099	M01402000	BUSHING,12MM IDX 13MM	2
62	730-1102	NM12A2-70	NYLOCK SELF LOCKING NUT,ST STL A2 ISO	1
63	730-1103	NM8A2-70	NUT,M8,NYLON PATCH,SS	3
64	730-1104	NM10A2-70	NUT,M10,NYLON PATCH,SS	16
65	730-1109	PNLM10-80A2-70	SCREW,M10X80,BH,SS	2
66	730-1112	PNLM10-130A2-70	SCREW,M10X130,BH,SS	6
67	730-1118	PNLM10-30A2-70	SCREW,M10,8HC,HK,SS	4
68	730-1119	PNLM10-35A2-70	SCREW,M10X35,BH,SS	2
69	730-1121	PNLM10-45A2	SCREW,M10X45,BHC,SS	2
70	730-1122	PNLM10-63A2-70	SCREW,M10X63,BHC,SS	8
71	730-1134	PNLM12-184A2-70	SCREW,M12X184,BHC,SS	1
72	730-1138	PNLM8-20A2-70	SCREW,M8X20,BHC,SS	6
73	730-1149	SABJK16C	HEIM JOINT, BOLT	4
74	730-1155	YZGB7710-32*3.2DS2	SCREW,10-32X3.2,SET	4
75	730-1333	730-1333	SHROUD,LNL,S3320	1
76	730-1400	730-1400	FRAME GREY (SLATE)	1
77	730-1491	730-1491	LABEL,INSTRUCTIONS,LOCK N LOAD	1

Item	Star Trac P/N	Description	Inray P/N	Qty
8	730-0316	ASSY,SPRING PIN,IN-D2120	IN-D21201900	1
3	730-0216	PAD,FOOT,FRAME,WELDED	IN-B75030900	4
1	730-0194	PAD,SEAT,IN-B7201	IN-B72012000	1
22	730-0151	ASSY ENDCAP, 25.4MM, ALUM	IN-B72001200	1
			YZGB7710-32*3.2DS2	2
			SLEEVE RUBBER	2 FT
25	730-0215	KIT, BELT REPLACEMENT	IN-S21002800	15.5
			IN-S10121700	2
			GB70M10*30A2-70	1
			IN-B72010700	1
57	730-0153	KIT, SEAT SLEEVE	GB818M6*12A2-70	1
			GB41M6A2-70	1
			IN-S51101000	1
24	730-0229	KIT, PULLEY REPLACEMENT, 76 MM, SINGLE	PNLM10*63A2-70	1
			NM10A2-70	1
			GB9510A2-70	2
55	730-0251	KIT ADJUSTMENT HANDLE, IN-D1014	IN-B72010600	1
			IN-B72011400	1
			HF1642303	1
			GB70M8*55A2-70	1
			GB958A2-70	1
27	730-0305	KIT, KNEE PAD, IND3340	IN-D33400900	1
			IT80053800	1
			HF1652100	1
			GB9510A2-70	1
			GB9310DG12	1
			PNLM10*30*30A2-70	1
58	730-0317	KIT, KNEE ADJUSTMENT PLATE, IN-S3310	IN-S33100900	1
			IN-S10111200	2
			GB70M8*20A2-70	2
N/A	730-0185	KIT, HARDWARE, IN-S3310	N/A	n/a

PRODUCTION RELEASE DOCUMENT STATUS:

CLASS OF WORK	UNLESS OTHERWISE SPECIFIED DIMS ARE IN MM TOLERANCES FOR MEASURE OF LENGTH ARE								MATERIAL SEE BOM
	0.5 to 3	3 to 6	6 to 30	30 to 120	120 to 400	400 to 1000	1000 to 2000	> 2000	
FINE	±0.05	±0.05	±0.1	±0.15	±0.2	±0.3	±0.5	---	FINISH FRAME COLOR: STAR TRAC SILVER (HP FULLER) UPHOLSTERY COLOR: STAR TRAC GREY (SLATE) VENDOR: N/A
MEDIUM	±0.1	±0.1	±0.2	±0.3	±0.5	±0.8	±1.2	±2	
COARSE	±0.2	±0.3	±0.5	±0.8	±1.2	±2	±3	±4	
VERY COARSE	---	±0.5	±1	±1.5	±2.5	±4	±6	±8	

UNISEN, INC. DBA STARTRAC 14410 Myford Road Irvine CA 92606

DATE: 08/14/07

REV: 01L-S3310-13BSS A

IN.SSS.LAT PULL DOWN.LNL

SCALE: 1:333 [SHEET 1 OF 1] SHEET SIZE: B